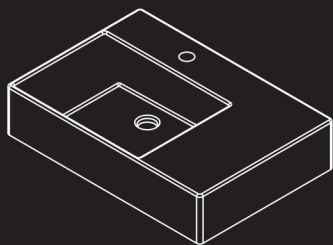


BENELLI CARE CERAMIC BASINS

Illustrations may not reflect every exact model



BEN-ZELDA



INSTALLATION

Care Ceramic Wall Hung Basins

(Models: BEN-ZELDA, BEN-RENO-LH & BEN-RENO-RH)



BEN-RENO-LH & BEN-RENO-RH

INSTALLATION INSTRUCTIONS

MODELS: BEN-ZELDA, BEN-RENO-LH & BEN-RENO-RH

BASIN COMPOSITION - VITREOUS CHINA

Vitreous china is an enamel coating that is applied to ceramics, particularly porcelain, after they've been fired, though the name can also refer to the finished piece as a whole. The coating makes the porcelain tougher, denser, and shinier, and it is a common choice for things like toilets and sink basins.

Read installation and Care instructions thoroughly before installation
Inspect your basin for any noticeable damage before installation
Check all local applicable plumbing and building codes

IMPORTANT

Your Care Basin is individually hand-crafted & we suggest using experienced and professional installers or tradesman only.

Provide suitable reinforcement behind finished wall for the basin
XI-BOLTS fixing kit at the fixing height position.

Roughing in for XI-BOLTS Basin Fixing Kit:

For timber stud wall, noggin and studs must be positioned at a height to allow for the location of fasteners as detailed in Fig.1

A template is provided to allow ease of installation, and position of fixing points.

Can be installed to comply to AS1428.1 Design for Access and Mobility requirements when fitted with Benelli "Freedom Care" BEN-38115-AL Mixer

*All installations should be carried out by a qualified tradesman in compliance with the national Plumbing & Drainage Code and any State or Local Authority Regulations, in accordance with AS/NZS 3500 series of standards and AS/NZA 6400. Local Authority, water board, and Building Regulations may apply to the installation of this product, and you should consult the appropriate bodies on these requirements

PRODUCT DIMENSIONS

Product dimensions may vary but should be within industry standards, hence the recommendation above should be followed at all times.

NOTE: Due to the nature of the material, models can differ up to 5mm from the listed dimensions. We advise that you do not drill fixing holes in wall based off of the dimensions in the specifications area of the website, but instead wait until your basin arrives to measure mark and drill holes to ensure a perfect fit.

We do not accept any liability for damage to walls, sink feature, tapware or personal injury during installation.

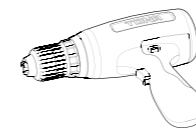
Warranty is void if installation instructions are not followed.

WARRANTY

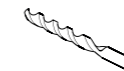
5 Years Limited Manufacturers Warranty. 1 Year Limited Commercial Warranty.

TOOLS REQUIRED FOR INSTALLATION

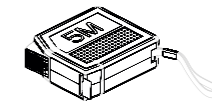
Be sure to use Proper tools and always wear personal safety accessories for your protection



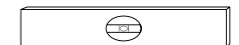
Electric/Battery Drill



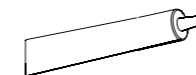
Drill Bit



Tape Measure (3m-5m)



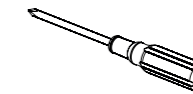
Spirit Level



Kitchen & Bathroom
Non-Acidic Silicone



Pencil



Screw Driver

All measurements are subject to accepted manufacturing tolerances.

To ensure accuracy please check actual product dimensions before installation. The manufacturer reserves the right to change specifications at any time without prior notification.

Contact place of Purchase with all relevant details should you have any questions or queries relating to this product.

INSTALLATION STEPS

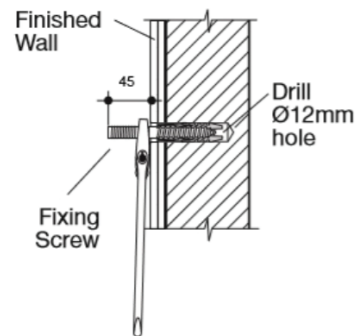
MODELS: BEN-ZELDA, BEN-RENO-LH & BEN-RENO-RH

BASIN INSTALLATION WITH XI-BOLTS BASIN FIXING KIT

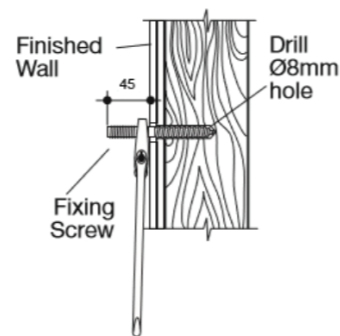
1. Please inspect basin/s for any imperfection prior to installation.
2. Any suspected defect should be reported as soon as possible.
3. Should any product be installed despite a fault having been found and reported, Benelli will not accept liability for the cost of labour to remove and install any replacement products/s.
4. Ensure there is sufficient bracing/reinforcement behind the finished wall where the basin is to be installed, to allow for adequate load bearing.
5. Mark fixing screw hole position on finished wall at the recommended height as detailed.
6. For masonry wall installation: Drill two 12mm holes for expansion fasteners.
For timber stud wall installation: Drill two 8mm holes for fixing screws.

FIG 1.

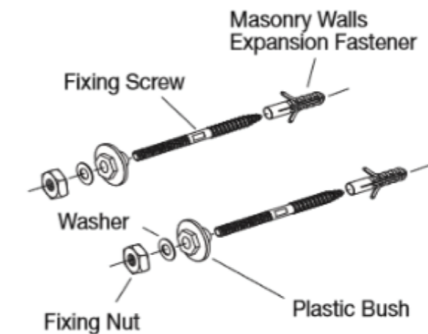
MASONRY FIXING SCREW WALL INSTALLATION



TIMBER STUD WALL INSTALLATION



XI-BOLTS FIXING SET



Note: Contact your retailer or place of purchase if any product is damaged or missing when it is received. Never install a damaged basin as it can void your warranty.

7. Insert expansion fasteners into the drilled holes in masonry wall.
The fixing screw should be screwed into the wall using the flat section of the fixing screw with a spanner. Allow 43mm of thread to protrude from the finished wall.
8. Locate basin onto the fixing screws on the wall. Insert plastic bushes, metal washers and fasten to wall with fixing nut to complete assembly.
9. The plastic bush allows for levelling adjustment if required by rotating the hexagonal head bush, the basin will be slightly raised or lowered as shown.
10. Fit taps and waste assembly to the basin.
11. Tighten fixing nuts and connect plumbing to complete the installation.
12. Check for security of installed basin, supply a bead of silicon along the top and sides.

*All installations should be carried out by a qualified tradesman in compliance with the national Plumbing & Drainage Code and any State or Local Authority Regulations, in accordance with AS/NZS 3500 series of standards and AS/NZA 6400. Local Authority, water board, and Building Regulations may apply to the installation of this product, and you should consult the appropriate bodies on these requirements

All measurements are subject to accepted manufacturing tolerances. To ensure accuracy please check actual product dimensions before installation. The manufacturer reserves the right to change specifications at any time without prior notification. Contact place of Purchase with all relevant details should you have any questions or queries relating to this product.

INSTALLATION INFORMATION

MODEL: BEN-ZELDA

CARE INSTRUCTIONS

To allow your product to remain as elegant as the day it was installed please read the guide below.

VITREOUS CHINA CARE

Vitreous china coating is better at resisting scratches, spills and other minor imperfections. The high gloss enamel is a preferred use in bathroom basins and sinks due to its highly durable, sanitary and stain resistant properties.

Vitreous china is chemical resistant and impossible to burn. It is very easy to care for:

- Use a liquid, non-abrasive cleaner such as dishwashing liquid
- Ensure all cleaning products are cleaned off once finished
- Wipe dry with a soft cloth

REMOVING STUBBORN MARKS

The fastest and easiest way to remove water marks, grease and soap scum is by using general bathroom cleaner such as Ajax liquid or other supermarket alternatives. Household vinegar solution can also be used to remove limescale – cover with a piece of kitchen paper soaked in vinegar and leave to stand for 30 minutes.

Caution should be taken with substances containing fluoride, such as rude removers & toothpaste. Be sure to remove deposits immediately, as they can cause stains if left for any length of time.

Some stains may not be able to be removed with the methods above. In this case, we would recommend using cream bathroom cleaner such as Gumption which is found in most supermarkets but take care as they have the possibility of dulling the surface of the ceramic if overused.

HARSH CHEMICALS TO AVOID

DO NOT USE HARSH CHEMICALS SUCH AS DOMESTOS. THEY WILL DESTROY THE CHROME ON OVERFLOW CAPS &/OR CAUSE DETERIORATION OF THE RUBBER SEALS IN THE WASTES.

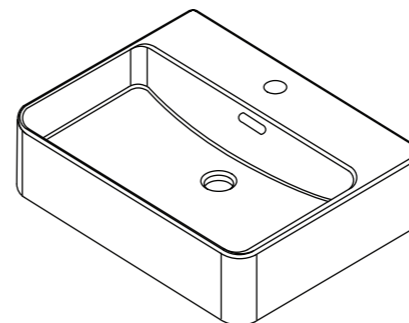


WARNING: NEVER MIX DIFFERENT CLEANING PRODUCTS
THE RESULTING CHEMICAL REACTION CAN BE VERY DANGEROUS.
ALWAYS READ THE LABELS.

*All installations should be carried out by a qualified tradesman in compliance with the national Plumbing & Drainage Code and any State or Local Authority Regulations, in accordance with AS/NZS 3500 series of standards and AS/NZA 6400. Local Authority, water board, and Building Regulations may apply to the installation of this product, and you should consult the appropriate bodies on these requirements

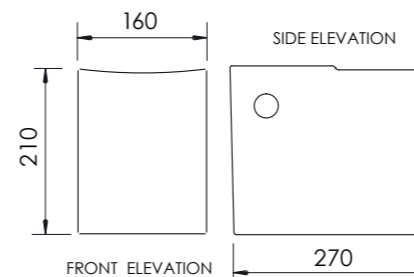


**LOAD BEARING
UP TO 200KG**

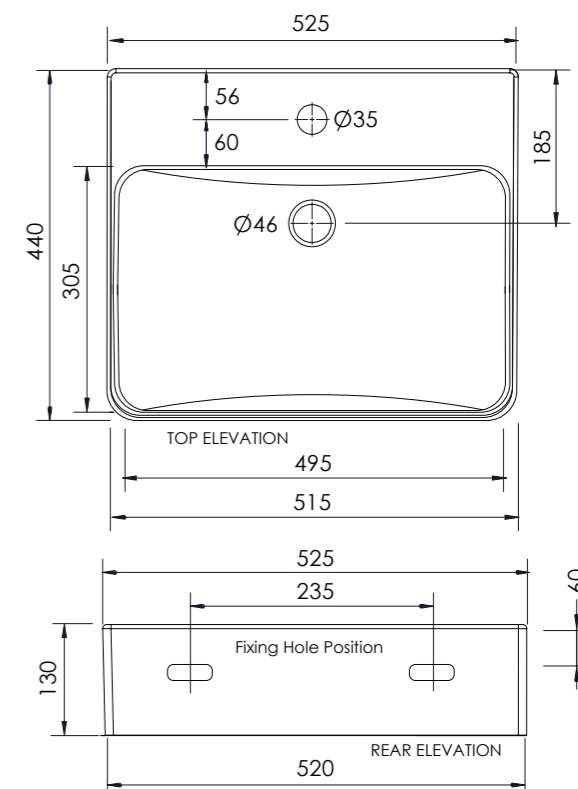


BASIN SHROUD (BEN-ZELDA-SHOUD)

Available to BEN-ZELDA
Sold Separately



BEN-ZELDA-SHOUD INSTALLATION
(SEE PAGES 9 & 10)



www.standards.org.au

IMPORTANT COMPLIANCY NOTE

♿ Suitable for installation to comply to Australian Standard AS1428.1 Design for Access and Mobility when fitted with Benelli Freedom Care Mixer BEN-38115-AL from the Freedom Care Mixer Range.



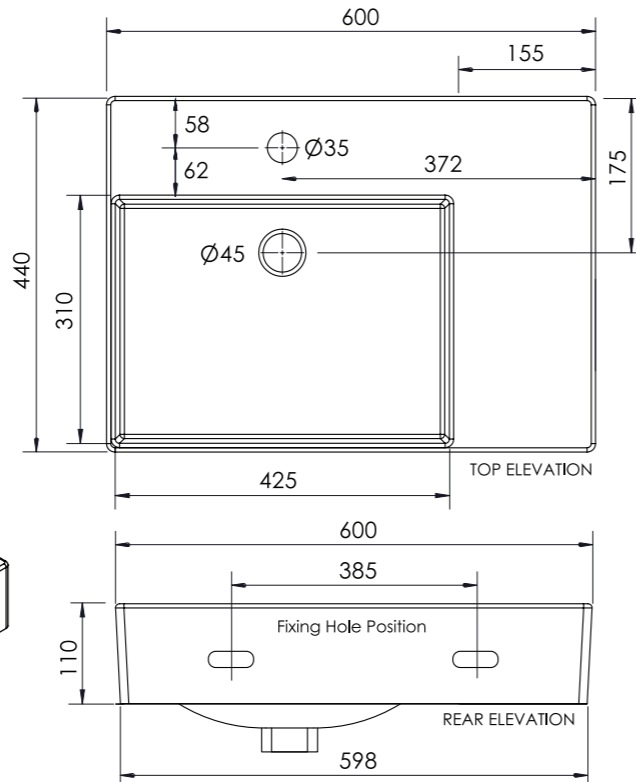
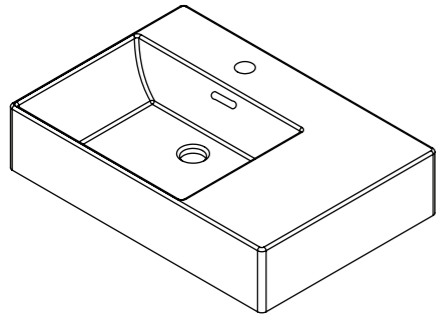
FOR MORE DETAILS ON THE BENELLI 'FREEDOM CARE' MIXER: BEN-38115-AL
(PLUS TECHNICAL SPECIFICATION DOWNLOADS)

All measurements are subject to accepted manufacturing tolerances. To ensure accuracy please check actual product dimensions before installation. The manufacturer reserves the right to change specifications at any time without prior notification. Contact place of Purchase with all relevant details should you have any questions or queries relating to this product.

MODEL: BEN-RENO-LH



**LOAD BEARING
UP TO 200KG**



www.standards.org.au

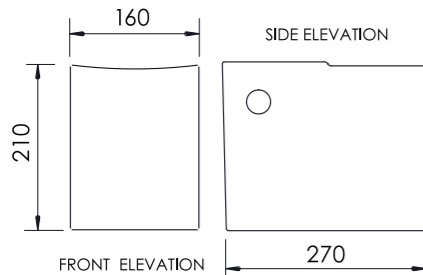
IMPORTANT COMPLIANCY NOTE

♿ Suitable for installation to comply to Australian Standard AS1428.1 Design for Access and Mobility when fitted with Benelli Freedom Care Mixer BEN-38115-AL from the Freedom Care Mixer Range.



**BASIN SHROUD
(BEN-RENO-SHOUD)**

Available to BEN-RENO-LH
Sold Separately



BEN-ZELDA-SHROUD INSTALLATION
(SEE PAGES 9 & 10)

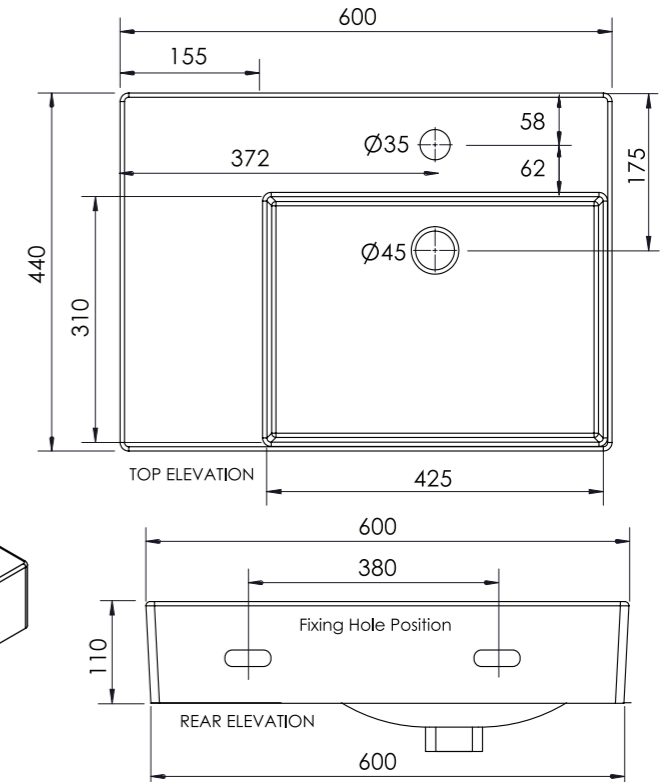
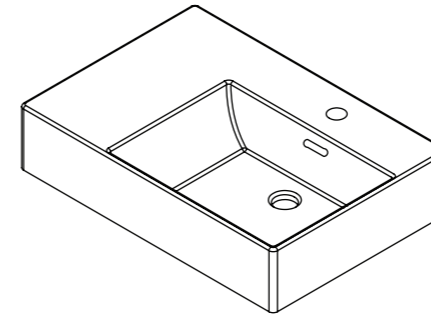
FOR MORE DETAILS ON THE BENELLI 'FREEDOM CARE' MIXER: BEN-38115-AL
(PLUS TECHNICAL SPECIFICATION DOWNLOADS)

All measurements are subject to accepted manufacturing tolerances.
To ensure accuracy please check actual product dimensions before installation. The manufacturer reserves the right to change specifications at any time without prior notification.
Contact place of Purchase with all relevant details should you have any questions or queries relating to this product.

MODEL: BEN-RENO-RH



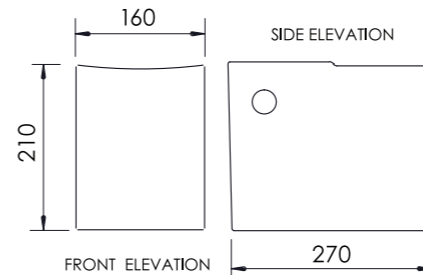
**LOAD BEARING
UP TO 200KG**



www.standards.org.au

**BASIN SHROUD
(BEN-RENO-SHOUD)**

Available to BEN-RENO-RH
Sold Separately



BEN-ZELDA-SHROUD INSTALLATION
(SEE PAGES 9 & 10)

FOR MORE DETAILS ON THE BENELLI 'FREEDOM CARE' MIXER: BEN-38115-AL
(PLUS TECHNICAL SPECIFICATION DOWNLOADS)

All measurements are subject to accepted manufacturing tolerances.
To ensure accuracy please check actual product dimensions before installation. The manufacturer reserves the right to change specifications at any time without prior notification.
Contact place of Purchase with all relevant details should you have any questions or queries relating to this product.

INSTALLATION INSTRUCTIONS

SHROUD INSTALLATION WITH BEN-SFK FIXING KIT

1. Please inspect Shroud for any imperfection prior to installation.
2. Any suspected defect should be reported as soon as possible.
3. Should any product be installed despite a fault having been found and reported, Benelli will not accept liability for the cost of labour to remove and install any replacement products/s.
4. Ensure there is sufficient bracing/reinforcement behind the finished wall where the basin is to be installed, to allow for adequate load bearing.
5. Installation as Per Fig A, B & C.
6. Fit taps and waste assembly to the basin prior to fitting Shroud.

IMPORTANT

Provide suitable reinforcement behind finished wall for the basin BEN-SFK Shroud fixing kit at the fixing height position.

FIG A. P TRAP OUTLET CENTRE

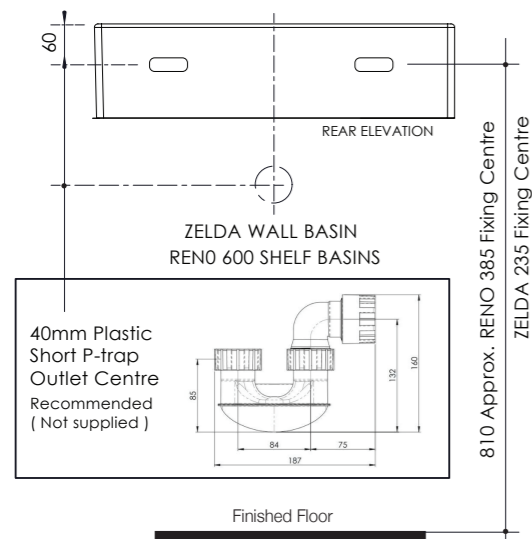
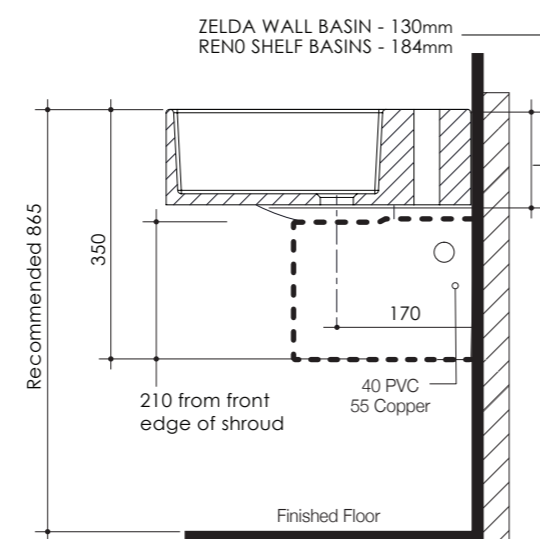


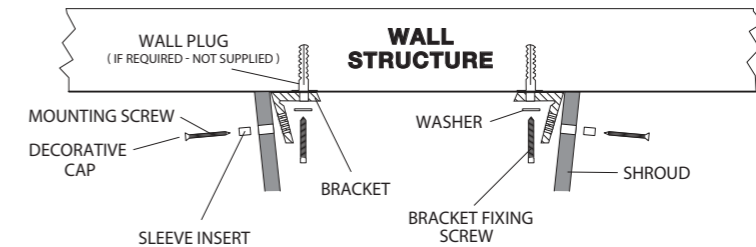
FIG B. SHROUD DETAIL



*All installations should be carried out by a qualified tradesman in compliance with the national Plumbing & Drainage Code and any State or Local Authority Regulations, in accordance with AS/NZS 3500 series of standards and AS/NZA 6400. Local Authority, water board, and Building Regulations may apply to the installation of this product, and you should consult the appropriate bodies on these requirements

MODELS: BEN-ZELDA-SHROUD + BEN-RENO-SHROUD

FIG C.



Note: Contact your retailer or place of purchase if any product is damaged or missing when it is received. Never install a damaged basin / shroud as it can void your warranty.

ROUGHING IN FOR BEN-SFK BASIN FIXING KIT:

For timber stud wall, noggin and studs must be positioned at a height to allow for the location of fasteners as detailed in Fig. A

1. Ensure the basin the shroud is to be fitted too, has been installed correctly, prior to proceeding with installation of the appropriate Shroud.
2. Place the Shroud below the basin, and ensure it fits the bottom of the basin, and aligned with the centre line.
3. Mark the screw holes on the wall inline with fixing holes on both side of the shroud.
4. Drill holes in the wall for the long wall hanging screws provided, fix wall plugs provided here, fix mounting brackets to the wall using screws and metal washers provided, ensuring these are straight.
5. Prior to fixing and fitting the Shroud, ensure basin and all plumbing is connected.
6. Re-fit the shroud underneath the basin, aligning the shroud holes with these mounting brackets. Using the shorter 60mm screws provided, screw through the fixing holes, using plastic spacers provided for guidance into the mounting brackets holes. **DO NOT OVER TIGHTEN THIS MAY CRACK THE SHROUD SIDE.** Fix the cover caps provided over the plastic spacers.

All measurements are subject to accepted manufacturing tolerances. To ensure accuracy please check actual product dimensions before installation. The manufacturer reserves the right to change specifications at any time without prior notification. Contact place of Purchase with all relevant details should you have any questions or queries relating to this product.



www.benelliglobal.com.au

All installations should be carried out by a qualified tradesman in compliance with the national Plumbing & Drainage Code and any State or Local Authority Regulations, in accordance with AS/NZS 3500 series of standards and AS/NZA 6400.