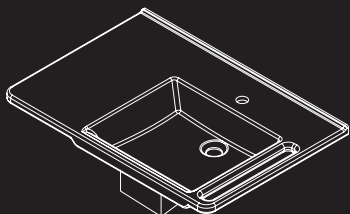


BENELLI BASSIN CARE BASINS

Illustrations may not reflect every exact model



INSTALLATION

WBM-803-L & WBM-803-R SHROUD

Code: BEN-BASSIN-SHROUD-803



INSTALLATION INSTRUCTIONS

BASIN COMPOSITION

Mineral casting is a high-quality material made from quartz sand, gravel and fine rock flour. Epoxy resin combines the dry products together and creates a viscous mixture, which can then be poured into all conceivable forms without being heated. The material, also known as marble casting is very shatterproof and resilient.

While sanitary ceramics can break due to the impact of a heavy object, mineral marble resists these forces. Only a scratch is formed, which often disappears even with simple polish.

Read installation and Care instructions thoroughly before installation. Inspect your basin for any noticeable damage before installation. Check all local applicable plumbing and building codes.

IMPORTANT

Your Basin Care Basin is individually hand-crafted & we suggest using experienced and professional installers or tradesman only.

Provide suitable reinforcement behind finished wall for the basin XI-BOLTS fixing kit at the fixing height position.

Roughing in for XI-BOLTS Basin Fixing Kit:

For timber stud wall, noggin and studs must be positioned at a height to allow for the location of fasteners as detailed in Fig. 1

A template is provided to allow ease of installation, & position of fixing points.

Suitable for installation to comply to Australian Standard AS 1428.1-2009 Design for access and mobility.

*All installations should be carried out by a qualified tradesman in compliance with the national Plumbing & Drainage Code and any State or Local Authority Regulations, in accordance with AS/NZS 3500 series of standards and AS/NZA 6400. Local Authority, water board, and Building Regulations may apply to the installation of this product, and you should consult the appropriate bodies on these requirements

CARE WALL HUNG BASSIN BASINS

PRODUCT DIMENSIONS

Product dimensions may vary but should be within industry standards, hence the recommendation above should be followed at all times.

NOTE: Due to the nature of the material, models can differ up to 5mm from the listed dimensions. We advise that you do not drill fixing holes in wall based off of the dimensions in the specifications area of the website, but instead wait until your basin arrives to measure mark and drill holes to ensure a perfect fit.

We do not accept any liability for damage to walls, basin feature, tapware or personal injury during installation.

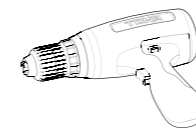
Warranty is void if installation instructions are not followed.

WARRANTY

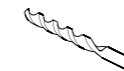
5 Years Limited Manufacturers Warranty. 1 Year Limited Commercial Warranty.

TOOLS REQUIRED FOR INSTALLATION

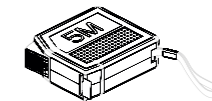
Be sure to use Proper tools and always wear personal safety accessories for your protection



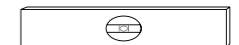
Electric/Battery Drill



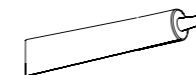
Drill Bit



Tape Measure (3m-5m)



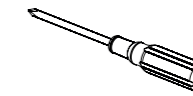
Spirit Level



Kitchen & Bathroom
Non-Acidic Silicone



Pencil



Screw Driver

All measurements are subject to accepted manufacturing tolerances.

To ensure accuracy please check actual product dimensions before installation. The manufacturer reserves the right to change specifications at any time without prior notification.

Contact place of Purchase with all relevant details should you have any questions or queries relating to this product.

INSTALLATION STEPS

BASIN INSTALLATION WITH XI-BOLTS BASIN FIXING KIT

1. Mark fixing screw hole position on finished wall at the recommended height as detailed in Fig 1.
2. For masonry wall installation: Drill two 12mm holes for expansion fasteners. For timber stud wall installation: Drill two 8mm holes for fixing screws.
3. Insert expansion fasteners into the drilled holes in masonry wall. The fixing screw should be screwed into the wall using the flat section of the fixing screw with a spanner as shown in Fig 2. Allow 43mm of thread to protrude from the finished wall.
4. Locate basin onto the fixing screws on the wall. Insert plastic bushes, metal washers and fasten to wall with fixing nut to complete assembly as detailed in Fig 3.
5. The plastic bush allows for levelling adjustment if required by rotating the hexagonal head bush, the basin will be slightly raised or lowered as shown in Fig 3.

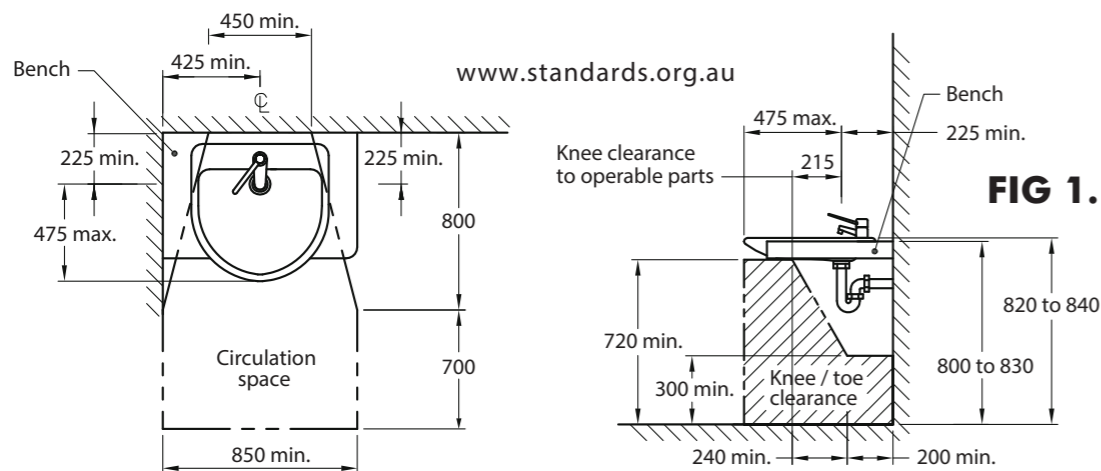
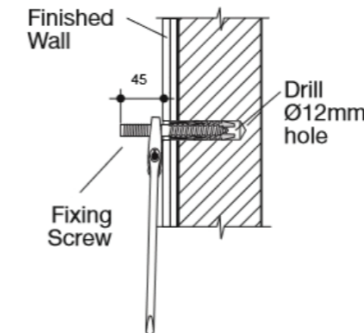


FIG 1.

*All installations should be carried out by a qualified tradesman in compliance with the national Plumbing & Drainage Code and any State or Local Authority Regulations, in accordance with AS/NZS 3500 series of standards and AS/NZA 6400. Local Authority, water board, and Building Regulations may apply to the installation of this product, and you should consult the appropriate bodies on these requirements

CARE WALL HUNG BASSIN BASINS

MASONRY FIXING SCREW WALL INSTALLATION



TIMBER STUD WALL INSTALLATION

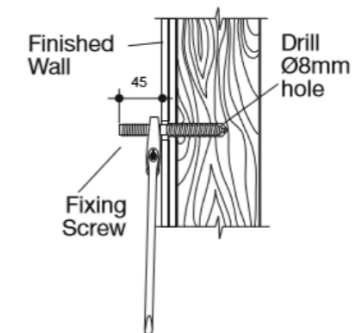


FIG 2.

Note: Contact your retailer or place of purchase if any product is damaged or missing when it is received. Never install a damaged basin as it can void your warranty.

6. Fit taps and waste assembly to the basin.
7. Tighten fixing nuts and connect plumbing to complete the installation.

XI-BOLTS FIXING SET

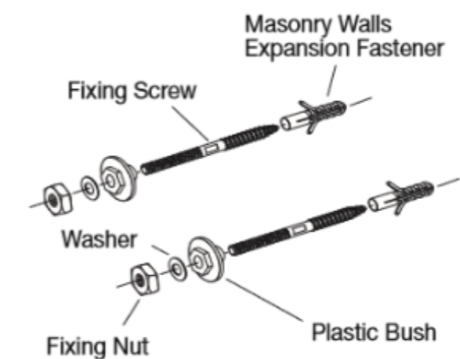


FIG 3.

All measurements are subject to accepted manufacturing tolerances. To ensure accuracy please check actual product dimensions before installation. The manufacturer reserves the right to change specifications at any time without prior notification. Contact place of Purchase with all relevant details should you have any questions or queries relating to this product.

INSTALLATION INFORMATION

CARE INSTRUCTIONS

To allow your product to remain as elegant as the day it was installed please read the guide below.

MINERAL MOULDING CARE

During the first four weeks, clean the wash basin with a rinsing agent/water only. After this time you can start to use a mild cleaning agent. However, cleaning agents that contain abrasives, whether in liquid or powder form, must not be used.

Please do not use any acidic or alkaline pipe detergents. You should also prevent the wash basin from coming into contact with strong solvents such as acetone or methanol.

Any spills involving solvents or paints, for example, must be cleaned up immediately in order to protect the surface of the basin. Do not dye or wash any materials, or soak them in an alkaline solution or similar, in the basin, as this could discolour and scratch it.

Please make sure that the water temperature does not exceed 65 degrees; higher temperatures could cause cracks to develop. In order to maintain the high-shine finish of the wash basin, we recommend applying a standard waxing polishing product from time to time (every two months) and then polishing it up with a cloth straightaway.

Note Slightly uneven edges, variations in colour, shadows and small spots are typical of this material and the production methods used to manufacture these mouldings mean such deviations cannot be avoided. No claims can be made on the basis of these material characteristics and they in no way affect the quality of the product.

Similarly, no claims can be made as a result of air bubbles, smaller holes, impressions, marks left by spatulas or regrinding marks on the underside of the basin, as these all inevitably result from the manufacturing process used and do not have any practical effect on the finished product. Water residues in the area of the basin trough are normal.

The occurrence depends on the material and the geometry of the basin.

After using please dry the basin completely to avoid stains and residues. In this way you prevent tenacious stains and deposits which inhibit the water flow additionally.

HARSH CHEMICALS TO AVOID

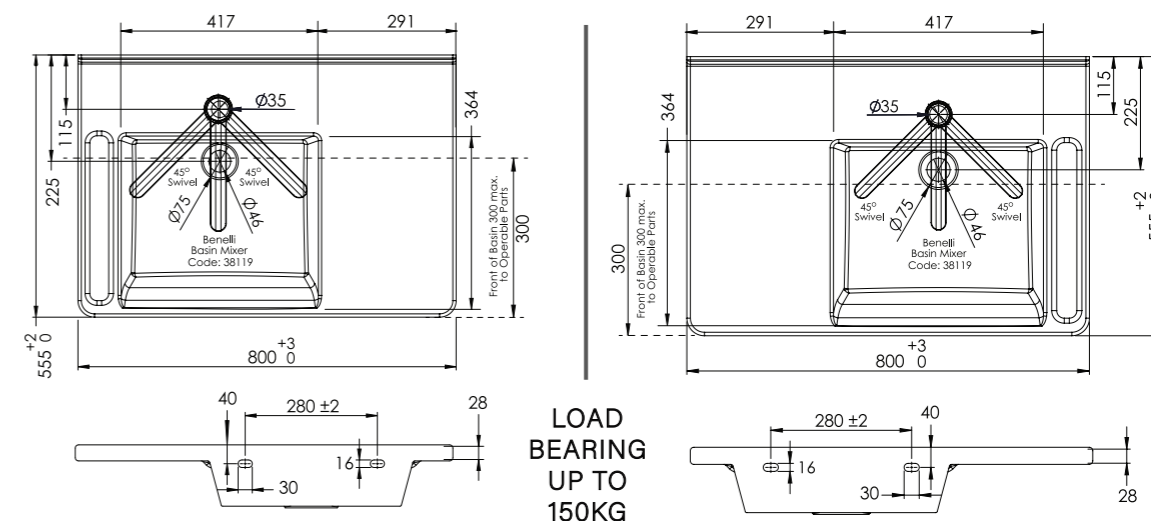
DO NOT USE HARSH CHEMICALS SUCH AS DOMESTOS. THEY WILL DESTROY THE CHROME ON OVERFLOW CAPS &/OR CAUSE DETERIORATION OF THE RUBBER SEALS IN THE WASTES.



WARNING: NEVER MIX DIFFERENT CLEANING PRODUCTS
THE RESULTING CHEMICAL REACTION CAN BE VERY DANGEROUS.
ALWAYS READ THE LABELS.

*All installations should be carried out by a qualified tradesman in compliance with the national Plumbing & Drainage Code and any State or Local Authority Regulations, in accordance with AS/NZS 3500 series of standards and AS/NZA 6400. Local Authority, water board, and Building Regulations may apply to the installation of this product, and you should consult the appropriate bodies on these requirements

CARE WALL HUNG BASSIN BASINS



WBM-803-L



WBM-803-R



FOR MORE DETAILS ON YOUR SPECIFIC MODEL
(PLUS TECHNICAL SPECIFICATION DOWNLOADS)

NOTES

All measurements are subject to accepted manufacturing tolerances. To ensure accuracy please check actual product dimensions before installation. The manufacturer reserves the right to change specifications at any time without prior notification. Contact place of Purchase with all relevant details should you have any questions or queries relating to this product.

INSTALLATION INSTRUCTIONS

SHROUD INSTALLATION WITH BEN-SFK FIXING KIT

1. Please inspect Shroud for any imperfection prior to installation.
2. Any suspected defect should be reported as soon as possible.
3. Should any product be installed despite a fault having been found and reported, Benelli will not accept liability for the cost of labour to remove and install any replacement products/s.
4. Ensure there is sufficient bracing/reinforcement behind the finished wall where the basin is to be installed, to allow for adequate load bearing.
5. Installation as Per Fig A, B & C.
6. Fit taps and waste assembly to the basin prior to fitting Shroud.

IMPORTANT

Provide suitable reinforcement behind finished wall for the basin BEN-SFK Shroud fixing kit at the fixing height position.

FIG A. P TRAP OUTLET CENTRE

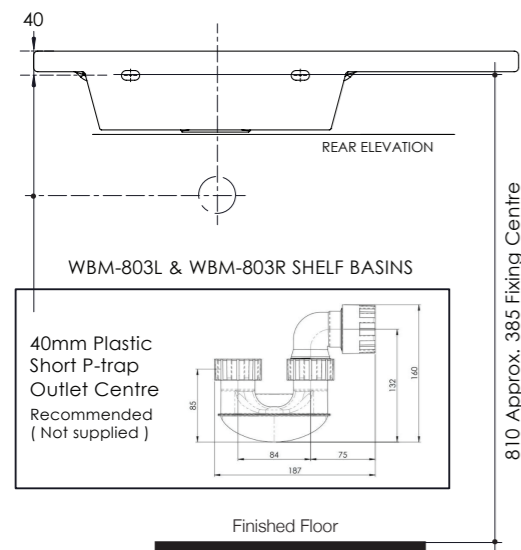
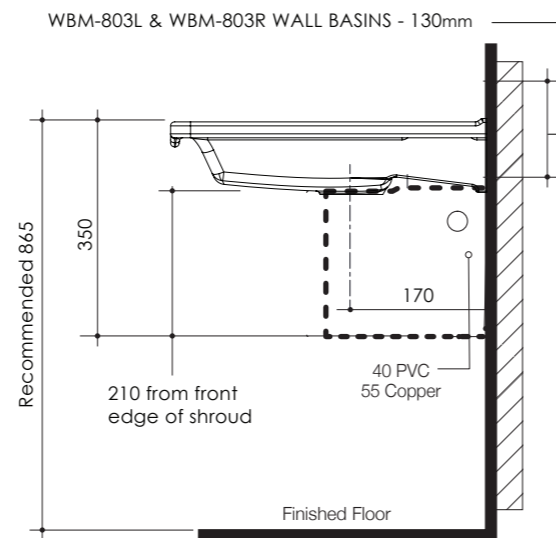


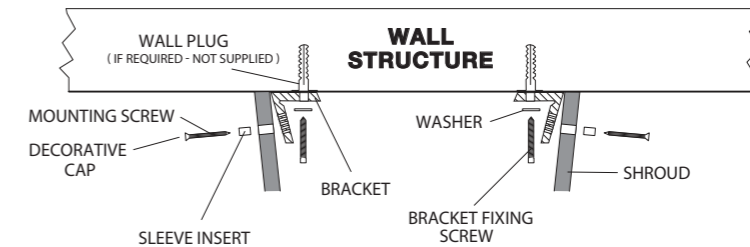
FIG B. SHROUD DETAIL



*All installations should be carried out by a qualified tradesman in compliance with the national Plumbing & Drainage Code and any State or Local Authority Regulations, in accordance with AS/NZS 3500 series of standards and AS/NZA 6400. Local Authority, water board, and Building Regulations may apply to the installation of this product, and you should consult the appropriate bodies on these requirements

MODEL: BEN-BASSIN-SHROUD-803

FIG C.



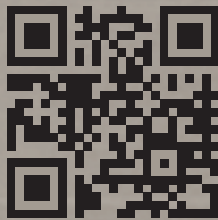
Note: Contact your retailer or place of purchase if any product is damaged or missing when it is received. Never install a damaged basin / shroud as it can void your warranty.

ROUGHING IN FOR BEN-SFK BASIN FIXING KIT:

For timber stud wall, noggin and studs must be positioned at a height to allow for the location of fasteners as detailed in Fig. A

1. Ensure the basin the shroud is to be fitted too, has been installed correctly, prior to proceeding with installation of the appropriate Shroud.
2. Place the Shroud below the basin, and ensure it fits the bottom of the basin, and aligned with the centre line.
3. Mark the screw holes on the wall inline with fixing holes on both side of the shroud.
4. Drill holes in the wall for the long wall hanging screws provided, fix wall plugs provided here, fix mounting brackets to the wall using screws and metal washers provided, ensuring these are straight.
5. Prior to fixing and fitting the Shroud, ensure basin and all plumbing is connected.
6. Re-fit the shroud underneath the basin, aligning the shroud holes with these mounting brackets. Using the shorter 60mm screws provided, screw through the fixing holes, using plastic spacers provided for guidance into the mounting brackets holes. **DO NOT OVER TIGHTEN THIS MAY CRACK THE SHROUD SIDE.** Fix the cover caps provided over the plastic spacers.

All measurements are subject to accepted manufacturing tolerances. To ensure accuracy please check actual product dimensions before installation. The manufacturer reserves the right to change specifications at any time without prior notification. Contact place of Purchase with all relevant details should you have any questions or queries relating to this product.



www.benelliglobal.com.au

All installations should be carried out by a qualified tradesman in compliance with the national Plumbing & Drainage Code and any State or Local Authority Regulations, in accordance with AS/NZS 3500 series of standards and AS/NZA 6400.