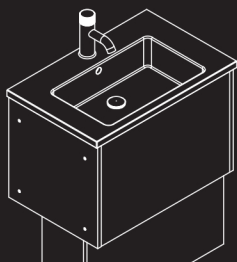


BENELLI FREEDOM CARE VANITIES

Illustrations may not reflect every exact model



INSTALLATION

BEN-RB-895-YC1031 SCB/090/68-SONOMA OAK
BEN-RB-895-YC1031 SCB/090/69-SONOMA GREY OAK

ROBUST VANITIES • S.D.A & AFFILIATED SPECIALISTS



INSTALLATION INSTRUCTIONS

BEN-RB-895-YC1031 SCB/090/68-SONOMA OAK • BEN-RB-895-YC1031 SCB/090/69-SONOMA GREY OAK

Congratulations on choosing the experience center of international bathroom living. These quality, service and design ensure the elegant life of bathroom space.

To install your bathroom products please ensure you read the following instructions below.

IMPORTANT

All vanities must be installed by a licenced plumber.*
Vanities and tops must be installed onto finished surfaces.

It is imperative that all bathroom installations are ventilated to meet standards.

FAILURE TO PROVIDE VENTILATION TO MEET THESE STANDARDS WILL VOID MANUFACTURERS WARRANTY.

WARRANTY

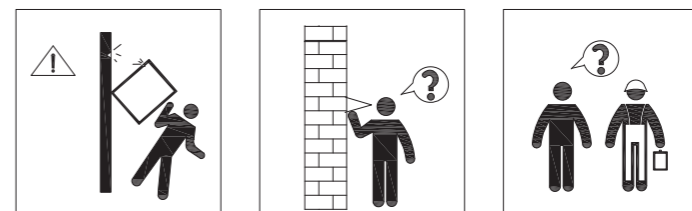
5 Years Limited Manufacturers Warranty. 1 Year Limited Commercial Warranty.

PRIOR TO INSTALLATION

It is important that the product is unpacked and inspected for any damage, defects and that the product supplied is correct. If any of the above is apparent, DO NOT PROCEED WITH THIS INSTALLATION, AND IMMEDIATELY CONTACT THE STORE OF PURCHASE.

*All installations should be carried out by a qualified tradesman in compliance with the national Plumbing & Drainage Code and any State or Local Authority Regulations, in accordance with AS/NZS 3500 series of standards and AS/NZA 6400. Local Authority, water board, and Building Regulations may apply to the installation of this product, and you should consult the appropriate bodies on these requirements

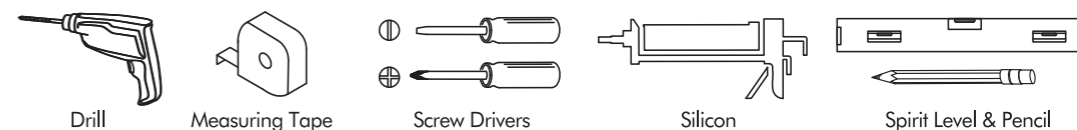
SAFETY INSTRUCTIONS



1. Improper assembly of the vanity could lead to accidents or injuries. The vanity is only to be assembled by competent person(s).
2. Examine the wall structure. Use the appropriate wall-plugs and hooks for your wall type.
3. There should be no electrical cables, supply lines or disposal pipelines running through the installation area. The section of wall where the piece of furniture is to be installed must be level.
4. In order to avoid tipping or falling, fasten the vanity (including standing types) to the wall using the wall mount.
5. Connecting the power supply is only to be carried out by a qualified technician.
6. Please consult a qualified technician if you have any questions.

TOOLS REQUIRED FOR INSTALLATION

Be sure to use Proper tools and always wear personal safety accessories for your protection

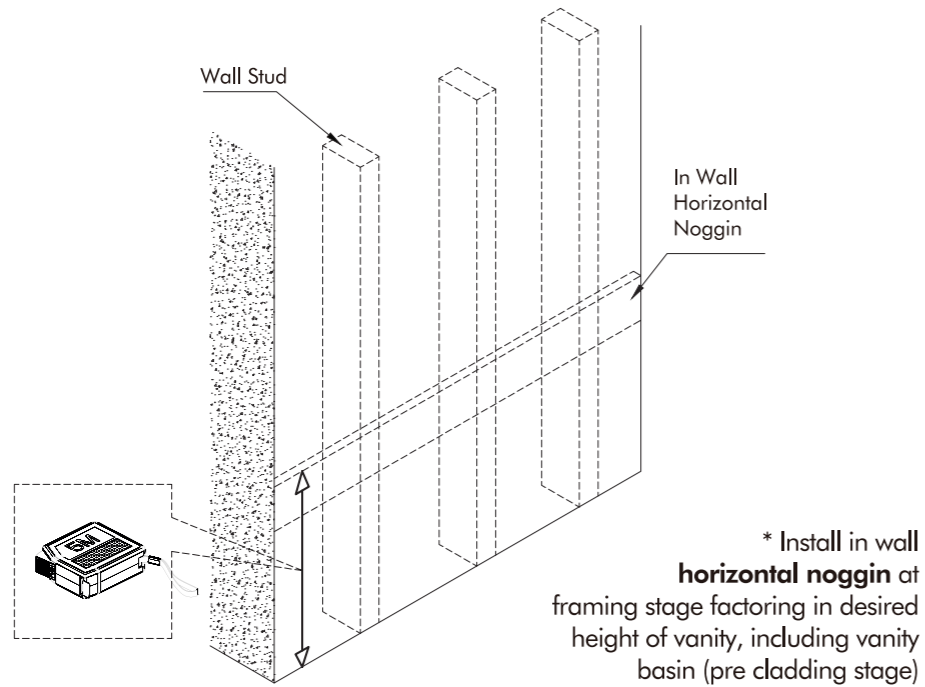


All measurements are subject to accepted manufacturing tolerances. To ensure accuracy please check actual product dimensions before installation. The manufacturer reserves the right to change specifications at any time without prior notification. Contact place of Purchase with all relevant details should you have any questions or queries relating to this product.

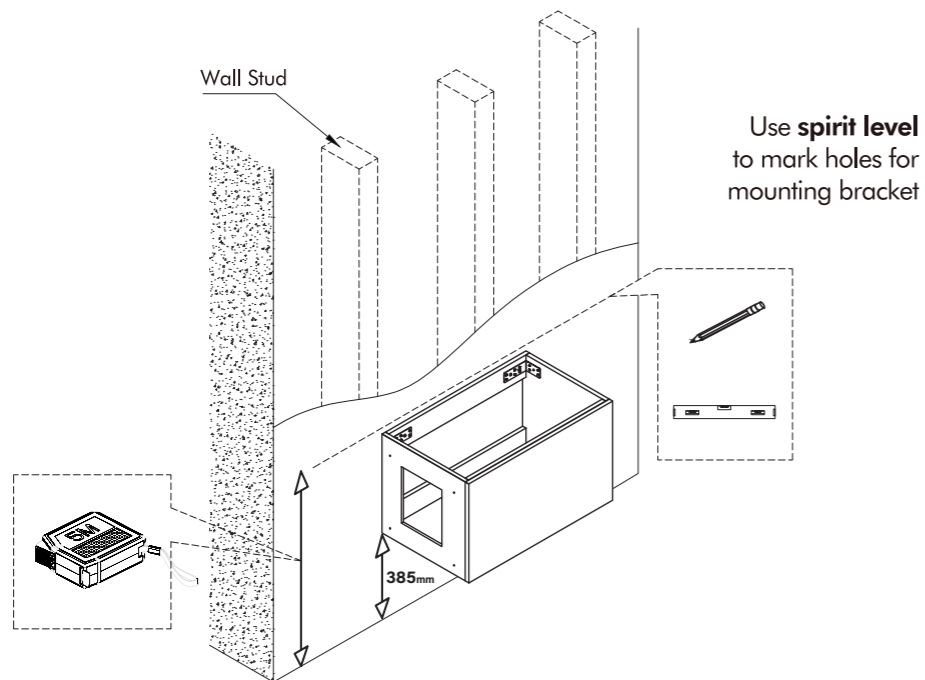
INSTALLATION INSTRUCTIONS

BEN-RB-895-YC1031 SCB/090/68-SONOMA OAK • BEN-RB-895-YC1031 SCB/090/69-SONOMA GREY OAK

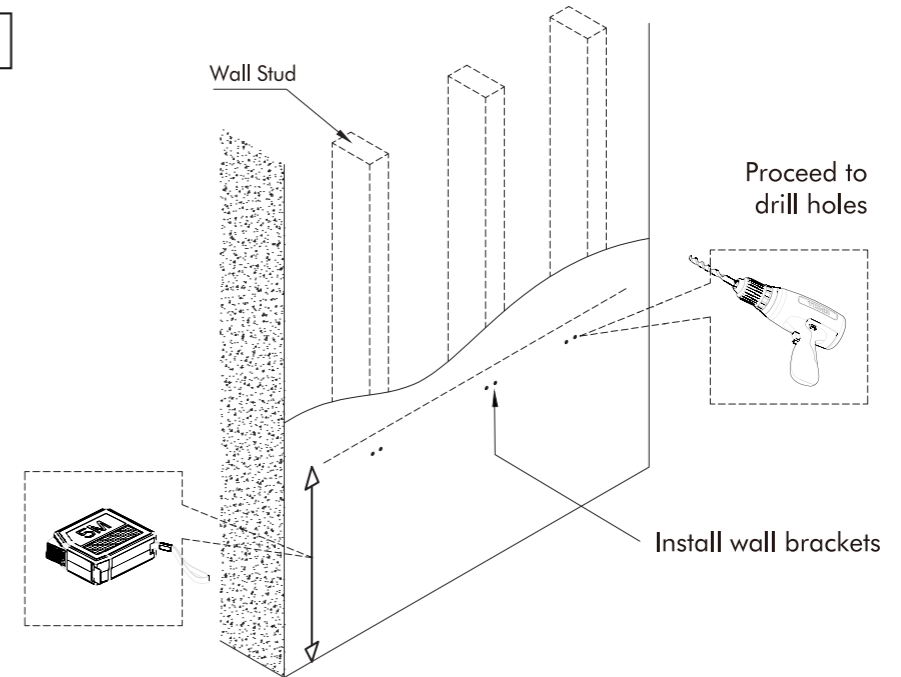
1



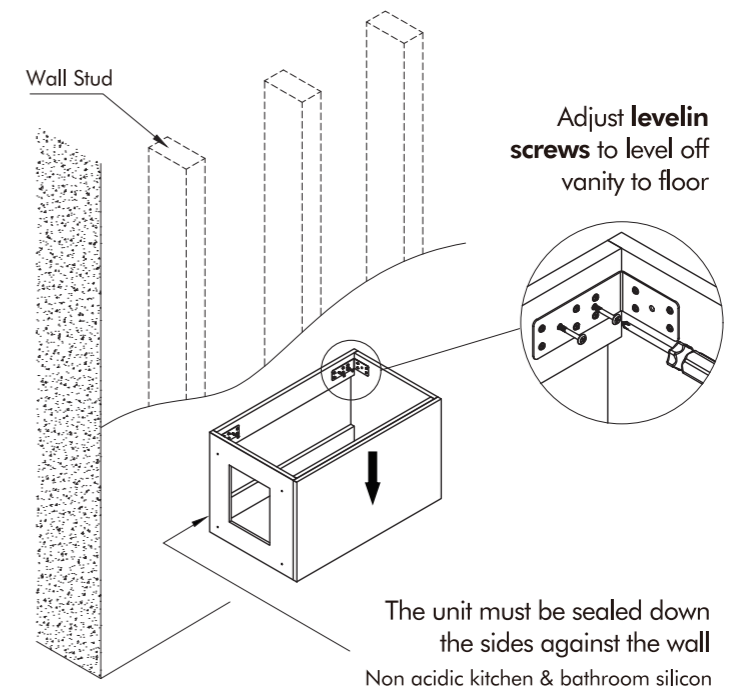
2



3



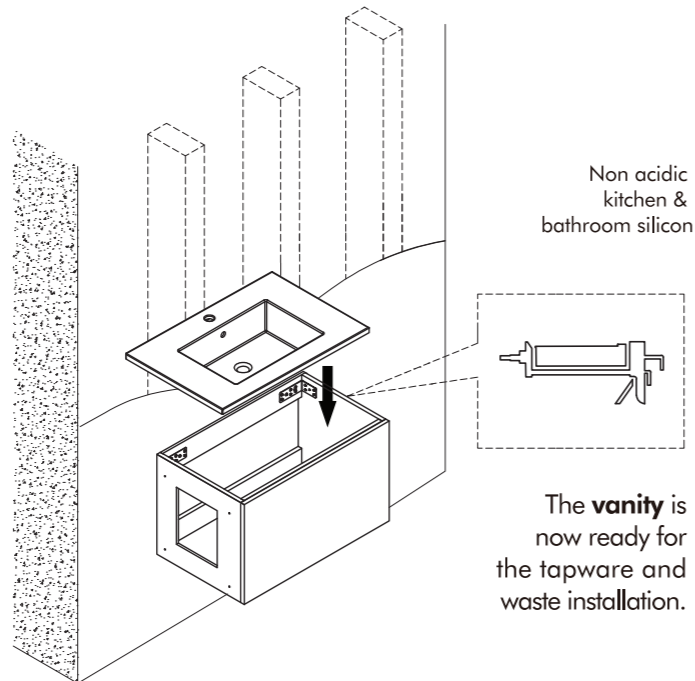
4



INSTALLATION INSTRUCTIONS

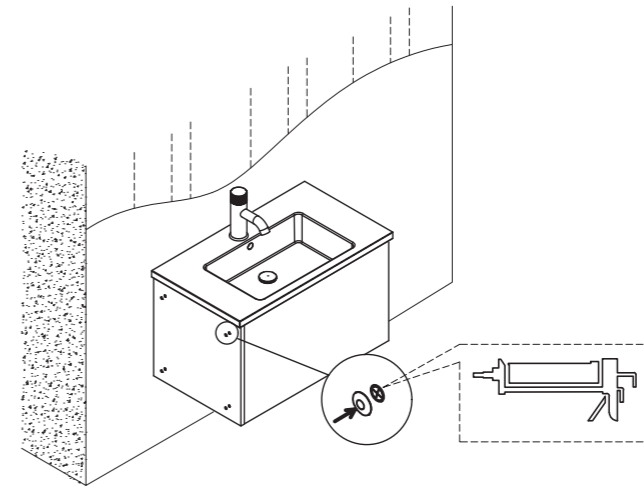
BEN-RB-895-YC1031 SCB/090/68-SONOMA OAK • BEN-RB-895-YC1031 SCB/090/69-SONOMA GREY OAK

5



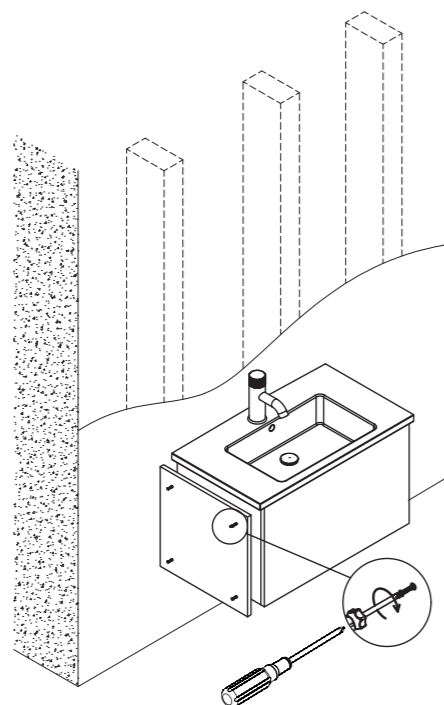
The vanity is now ready for the tapware and waste installation.

7



Note: We recommend the use of a non-acidic silicone to fix cover caps to screws for additional tamper proof security.

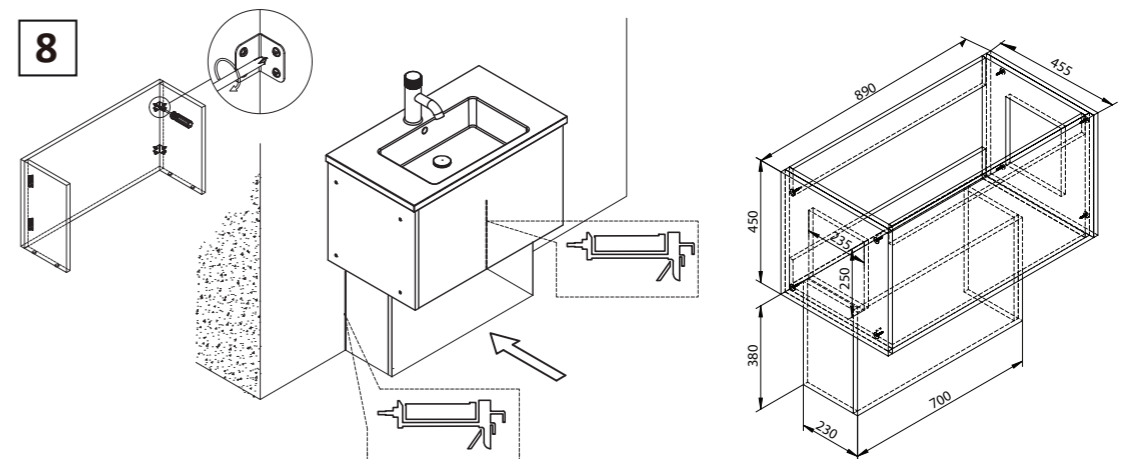
6



Side access removable panel is included for installation of plumbing fixtures tapeware and waste.

Remove fixed panel as shown four countersink screws with cover caps provided and replace at completion of installation.

8



CARE INSTRUCTIONS

CABINET CARE:

Regular cleaning with a damp cloth is sufficient. Never use strong detergents or abrasive cleaners as this may damage the surface finish of your furniture.

COUNTERTOP CARE:

For general cleaning, just use soap and water or any ammonia based household cleaners. For stubborn stains, use a mild abrasive cleaner or a diluted solution of bleach.



FOR MORE DETAILS ON OUR FREEDOM CARE ROBUST VANITIES
(PLUS TECHNICAL SPECIFICATION DOWNLOADS)

Featured on front with Benelli 'Robust' Basin Mixer (BEN-38812)

All installations should be carried out by a qualified tradesman in compliance with the national Plumbing & Drainage Code and any State or Local Authority Regulations, in accordance with AS/NZS 3500 series of standards and AS/NZA 6400.