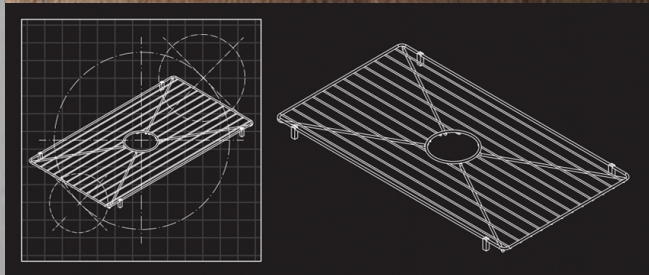


BENELLI SINKS

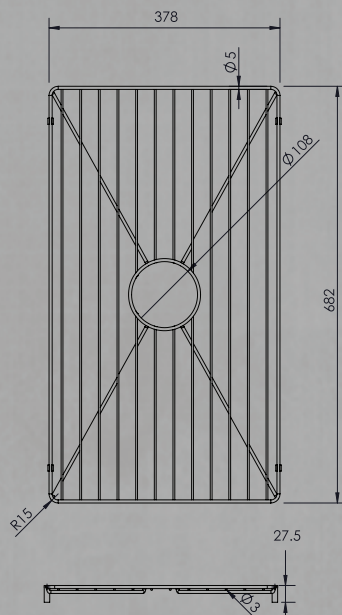
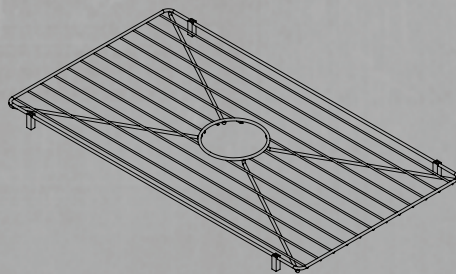
MAÎTRE CUISINE PURA



TECHNICALS

BEN-KGS30 • Butler Sink Grid

*Protects the bottom of the sink from everyday wear and tear, while adding a new layer of functionality to the kitchen space.



FEATURES

- Custom designed to complement Benelli Butler Sinks BEN-3901 & BEN-3301
- Protective Rubber Feet + Side Bumpers*
- Safe for use on any type of Counter Top
- Large centre opening in grid allows for easy access to the drain
- Heat-resistant + Dishwasher Safe

DIMENSIONS

682mm (w) x 378mm (d) x 27.5mm (h)

FINISH

Polished Stainless Steel

Note: We always recommend the cabinet maker and stone provider has the actual sink with them to measure before making cabinetry or cutting stone. Use of Epoxies on Benelli PURA Solid Surface Sinks will void manufacturer's warranty. If installing stone over the sink, ensure stone and sink are supported independently of each other.