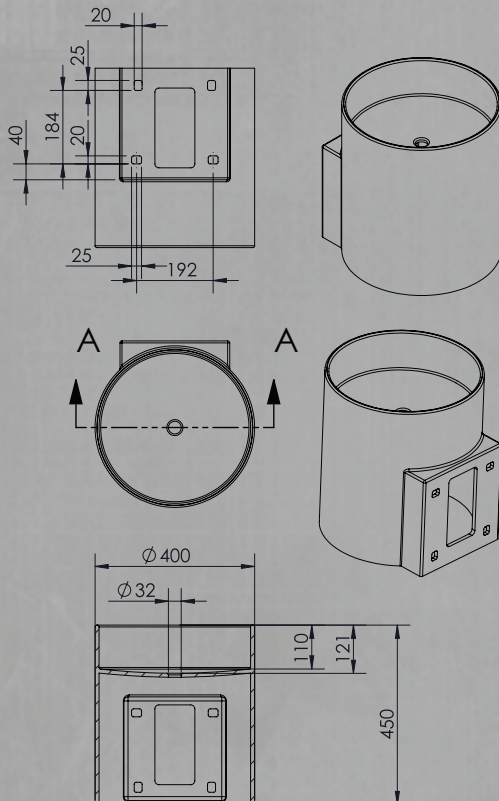


TECHNICALS

BEN-SOP-400

* Non-porous, solid construction core resists fire, chemicals, germs and stains.



SECTION A-A



FEATURES

- True Solid Surface Material*
- Italian Design & Engineering
- Scratch & Stain Resistance
- Suits 32mm Waste - Not included
- Solid Surface Matching
- Pop-Up Waste BEN-PUR-005MW
(Sold Separately)
- Australian Standard
(SAI) AS/NZS 3718:2003

FINISH

Stock Item - Smooth Matt White

MOUNTING

Wall Mounted Basin with Brackets included

Note: We always recommend the cabinet maker and stone provider has the actual basin with them to measure before making cabinetry or cutting stone. Use of Epoxies on Benelli PURA Solid Surface Basins will void manufacturer's warranty.