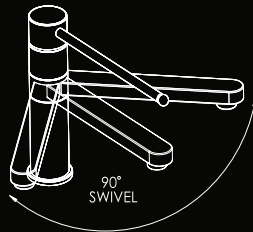


BENELLI FREEDOM CARE

BATHROOM



UNIVERSAL BASIN MIXER

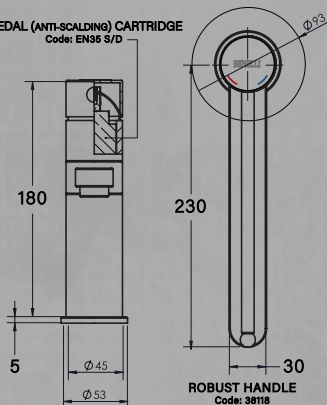
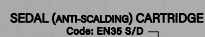
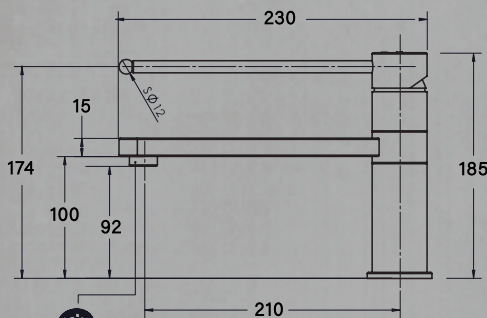
Product Code: BEN-38114-RAL

www.benelliglobal.com.au

NEW Benelli 'Freedom Care' Basin & Kitchen Mixer models have been designed and manufactured with input + assistance from people involved with SDA and affiliated specialists, and with all models crafted to comply with their standards as well as AS14281, you can use with confidence these products.

FEATURES

- Polished Chrome Finish
- Increased space between Spout + Basin
- Extended 90° Swivel Spout + Lever
- 7 Years Limited Manufacturers Warranty
- 1 Year Limited Commercial Warranty
- Fully compatible with the Benelli Bassin' Range of Care Basins
- Designed for ease of use
- 4 Star-Wels 7.5 Litres Per Minute
- Sedal Anti-Scalding Cartridge (EN35 S/D)
- Upgraded Robust Handle (38118)
- Neoperl Aerator* (40.2157.000)



COMPLIANCE

♿ Suitable for installation to comply to Australian Standard AS 1428.1 Design for Access and Mobility

www.standards.org.au

*It is generally considered that laminar flow outlets are used in lieu of aerated outlets for clinical hand washing, as laminar flow does not draw ambient room air into the water stream, avoiding any possible introduction of airborne bacteria.